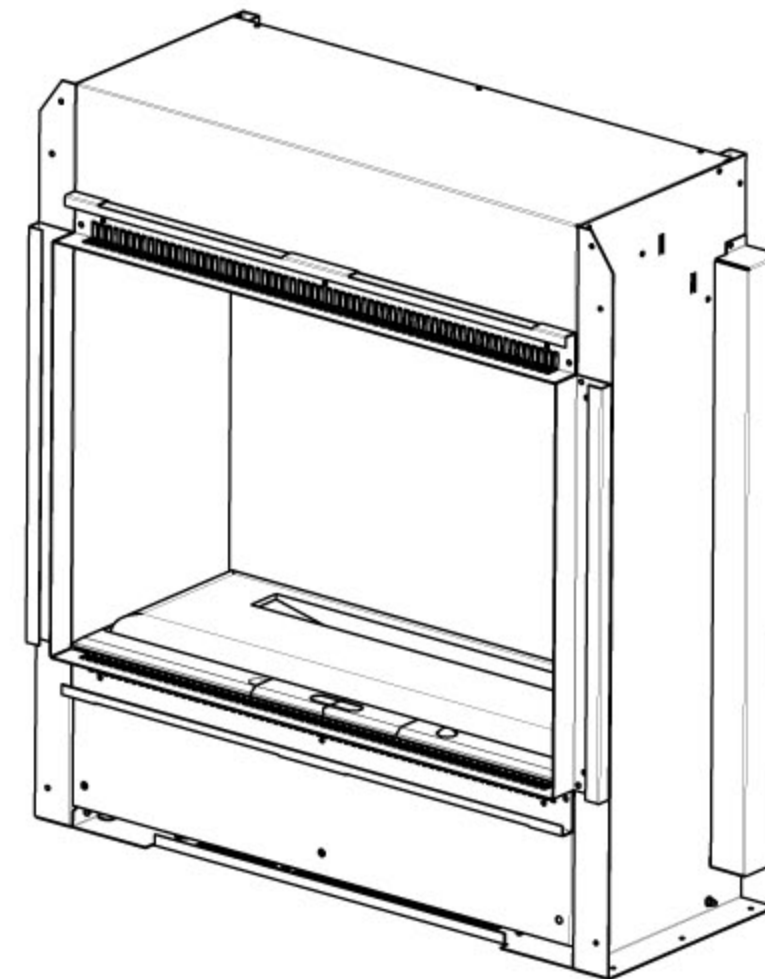
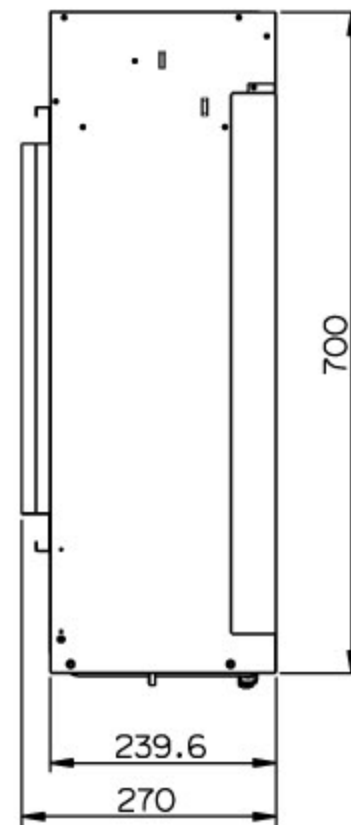

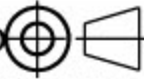


SCALE 0.125



SCALE 0.150

ISSUE	MODIFICATIONS	OCN	APPD	DATE	NOTES	maisonFire 				PROJECT		
A	RELEASE FOR SAMPLING	—	HC	08-11-12		exclusive fireplaces				ENGINE 56-600		
						DRAWN BY	DATE	SCALE	HOLE TOL	GEN TOL	TITLE	
						HC	08-11-12		+/-0.05	0 +/-0,4	ASSEMBLY	
						APP'D BY	DATE	DIM IN	ANGLES	0,0 +/-0,2		
								mm	+/-0.5°	0,00 +/-0,1	NO. OFF: 1	
						DO NOT SCALE			THIRD ANGLE PROJECTION 		DRG NO	A3
						IF IN DOUBT ASK			R.o.H.S. compliant		7/20104/0	
						MATERIAL			All materials must comply with the requirements of European Directive 2002/95/EC on the restriction of the use of certain hazardous substances			Sht 1 of 2
						FINISH						