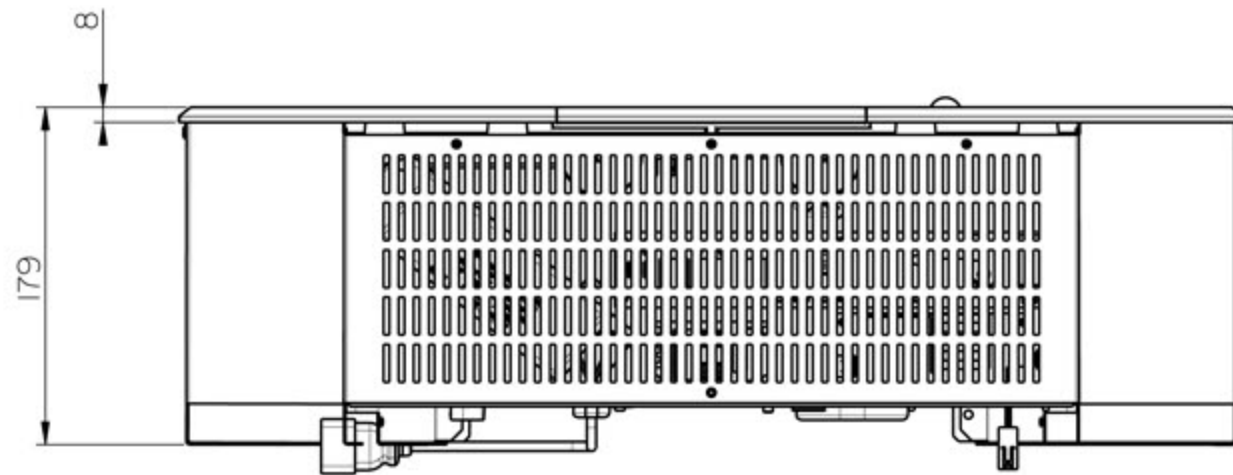
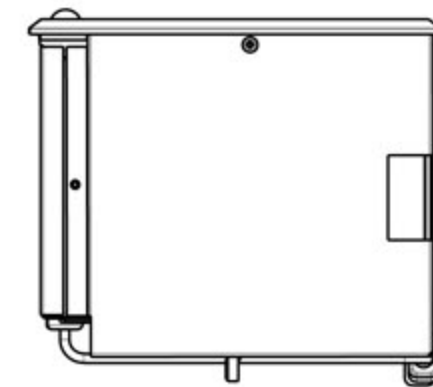

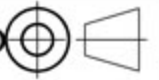


SCALE 0.250



SCALE 0.250



ISSUE	MODIFICATIONS	OCN	APPD	DATE	NOTES	maisonFire® 				PROJECT	Optimyst - 400 Module		
A	RELEASE FOR SAMPLING	—	29-07-13	29-07-13		DRAWN BY	DATE	SCALE	HOLE TOL	GEN TOL	TITLE	600 Module	
						HC	29-07-13		+/-0.05	0 +/-0,4		NO. OFF: 1	
						APP'D BY	DATE	DIM IN	ANGLES	0,0 +/-0,2		DRG NO	
								mm	+/-0.5°	0,00 +/-0,1		4/19005/0	
						DO NOT SCALE	THIRD ANGLE PROJECTION 		MATERIAL	R.o.H.S. compliant		A3	
						IF IN DOUBT ASK			FINISH	All materials must comply with the requirements of European Directive 2011/65/EU on the restriction of the use of certain hazardous substances		Sht 2 of 2	